

### Primary Characteristics

$I_F$	2.0	A
$V_{RRM}$	60	V
$I_{FSM}$	50.0	A
$V_F$	0.62	V

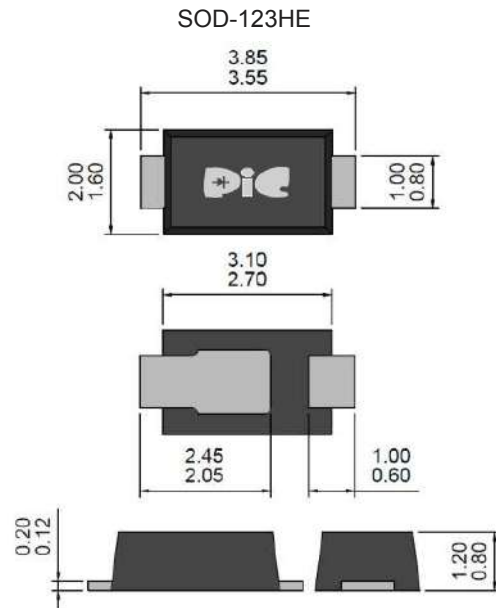
### Features

- Fast switching speed
- Surface mount package ideally suited for automatic insertion
- Electrical identical standard JEDEC.
- High conductor
- Lead free in compliance with EU RoHSS 2011/65/ EU directive
- Green molding compound as per IEC6 611249 Std. . (Halogen Free)

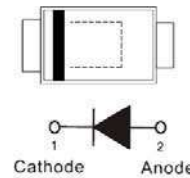
### Mechanical Data

- Epoxy: UL94V-0 rated flame retardant
- Case: SOD-123HE, Plastic
- Terminals: Solderable per MIL-STD-750, Method 2026
- Polarity: Color band denotes cathode end

### Package Outline Dimensions



Unit : millimeters



### Maximum Ratings ( $T_A=25^\circ\text{C}$ unless otherwise noted)

PARAMETER	Symbol	SS2060LHE	UNITS
Marking Code	-	EX	-
Reverse Voltage	$V_R$	60	Volts
Peak Reverse Voltage	$V_{RRM}$	60	Volts
Average Rectified Current at $T_A=75^\circ\text{C}$	$I_o$	2	Amps
Peak Forward Surge Current: 8.3ms single half sine-wave superimposed on rated load	$I_{FSM}$	50	Amps
Typical Thermal Resistance, Junction to Ambient (Note 1)	$R_{\theta JA}$	200	$^\circ\text{C}/\text{W}$
Junction to Case (Note 1)	$R_{\theta JC}$	15	$^\circ\text{C}/\text{W}$
Operating Junction Temperature and Storage Temperature Range	$T_J, T_{STG}$	-55 ~ +150	$^\circ\text{C}$

### Electrical Characteristics ( $T_A=25^\circ\text{C}$ unless otherwise noted)

PARAMETER	SYMBOL	Test Condition	MIN.	TYP.	MAX.	UNITS
Reverse Breakdown Voltage	$V_{(BR)}$	$I_R=1\text{mA}$	60	--	--	V
Reverse Current	$I_R$	$V_R=60\text{V}$	--	--	100	$\mu\text{A}$
Forward Voltage	$V_F$	$I_F=1.0\text{A}$	--	0.49	--	V
		$I_F=2.0\text{A}$	--	0.62	0.67	
Typical Junction Capacitance	$C_J$	$V_R=0\text{V}, f=1.0\text{MHz}$	--	230	--	pF

Notes:

(1) Mounted on 48cm<sup>2</sup> FR-4 PCB board.

### Rating and Characteristics Curves

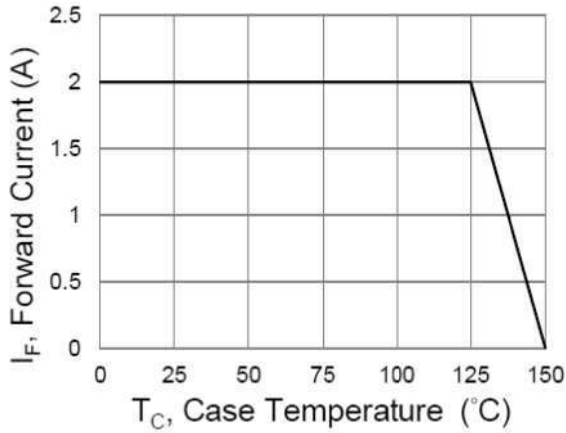


Fig. 1 Forward Current Derating Curve

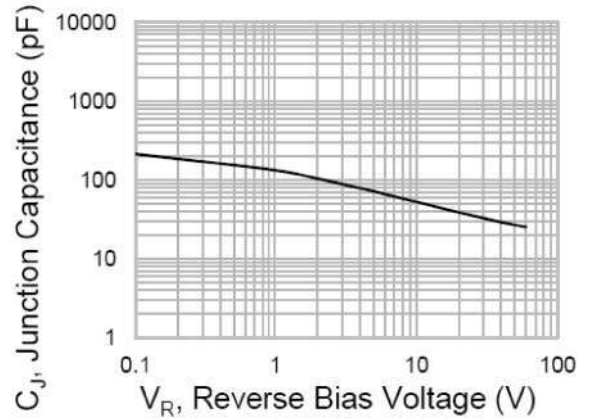


Fig. 2 Typical Junction Capacitance

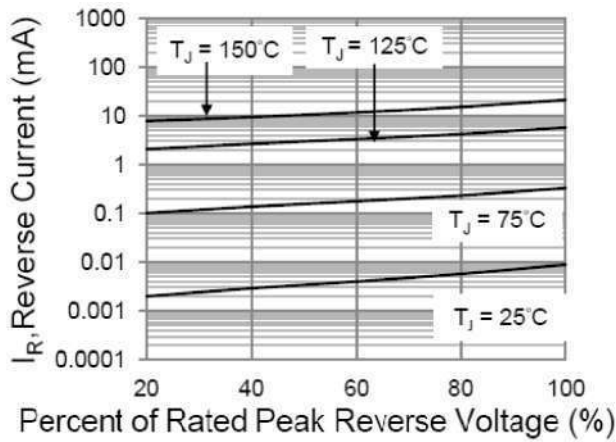


Fig. 3 Typical Reverse Characteristics

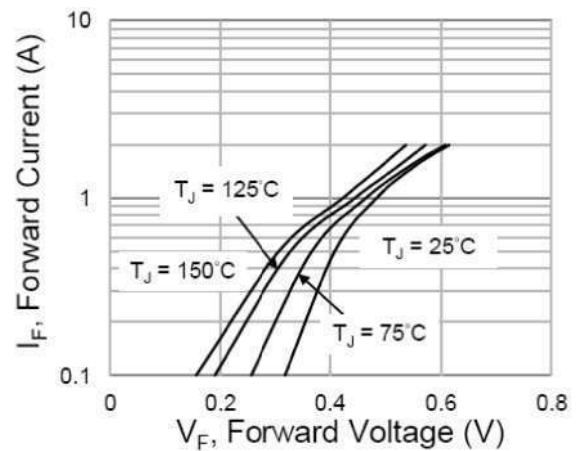


Fig. 4 Typical Forward Characteristics

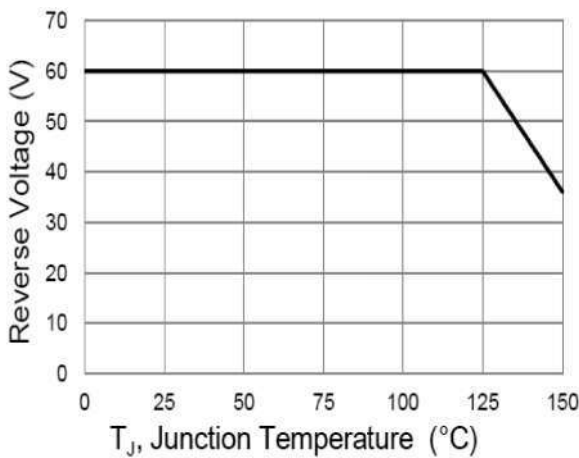
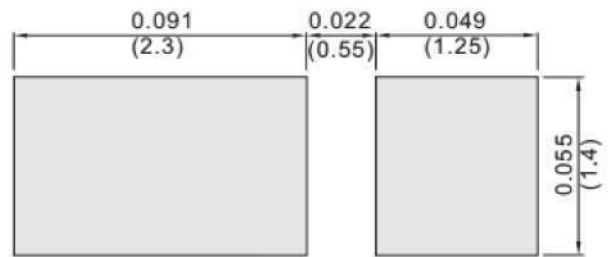


Fig. 5 Operating Temperature Derating Curve

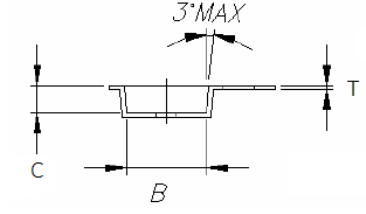
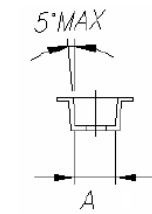
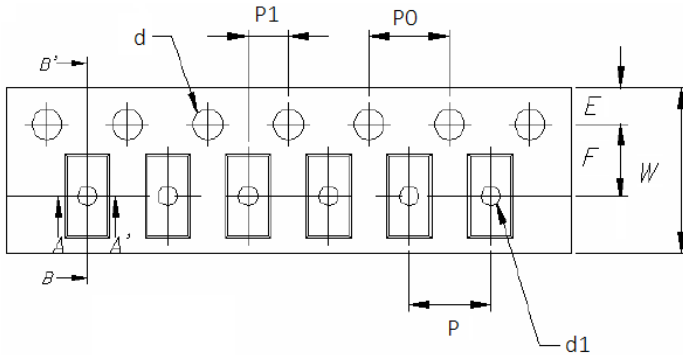
### Pad Layout



Unit: mm

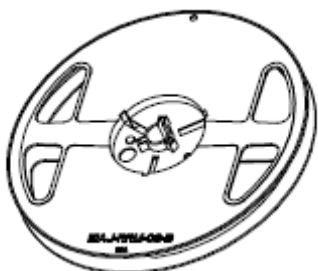
### Packaging Specifications

Package	W (mm)	A (mm)	B (mm)	C (mm)	d1 (mm)	d (mm)	E (mm)	F (mm)	P (mm)	P0 (mm)	P1 (mm)	T (mm)
SOD-123FL	8±0.2	2.00±0.1	3.85±0.1	1.1±0.1	1.0	1.50±0.1	1.75±0.1	3.5±0.05	4±0.1	4±0.05	2±0.05	0.23±0.05
SOD-123HE	8±0.3	2.00±0.1	4.00±0.1	1.45±0.1	1.0	1.55±0.1	1.75±0.1	3.5±0.05	4±0.1	4±0.10	2±0.05	0.23±0.10
SOD-323FL	8±0.2	1.37±0.1	2.75±0.1	0.85±0.1	1.00	1.60±0.1	1.75±0.1	3.50±0.05	4±0.1	4±0.10	-	0.20±0.10
SOD-323HE	8±0.3	1.60±0.1	2.80±0.1	0.95±0.1	1.0	1.50±0.1	1.75±0.1	3.5±0.05	4±0.1	4±0.10	2±0.05	0.23±0.10
SMAF	12±0.3	2.9±0.1	5.5±0.1	2.1±0.1	1.5	1.55±0.1	1.75±0.1	5.5±0.05	4±0.1	4±0.10	2±0.05	0.23±0.10
SMA-S	12±0.2	2.65±0.1	5.25±0.1	1.35±0.1	1.0	1.55±0.1	1.75±0.1	5.5±0.05	4±0.1	4±0.05	2±0.05	0.23±0.10
SMA-HE	12±0.2	2.65±0.1	5.25±0.1	1.35±0.1	1.0	1.55±0.1	1.75±0.1	5.5±0.05	4±0.1	4±0.05	2±0.05	0.23±0.10

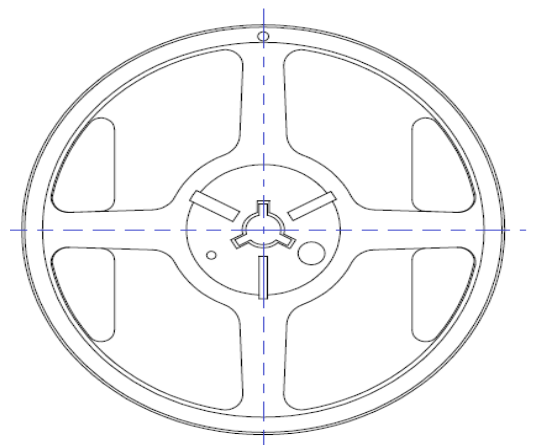
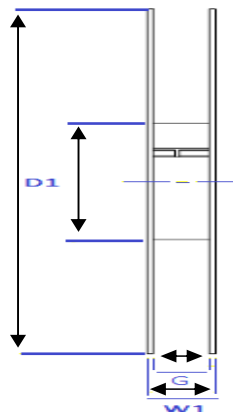
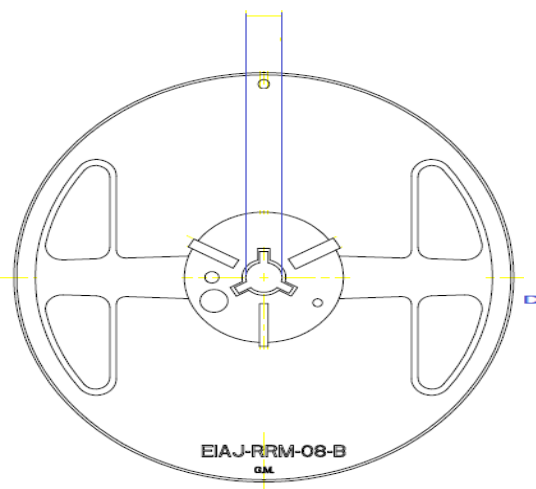


SECTION A-A'

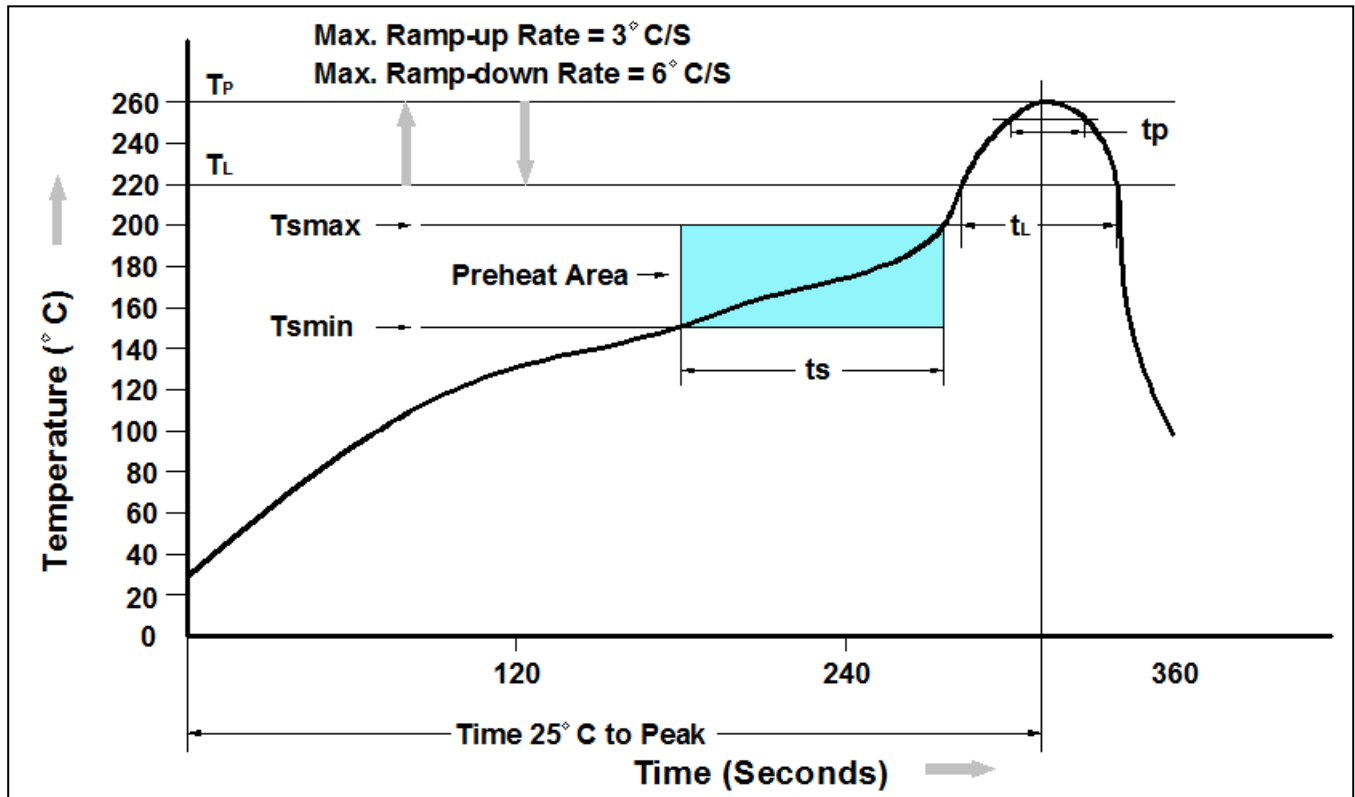
SECTION B-B'



Package	D (max.) (mm)	D1 (min.) (mm)	D2 (mm)	G (min.) (mm)	W1 (min.) (mm)
SOD-123FL	178	50.0	13.0±0.2	8.4	11.4
SOD-123HE	178	50.0	13.0±0.2	8.4	11.4
SOD-323FL	178	50.2	13.0±0.2	8.0	11.5
SOD-323HE	178	50.0	13.0±0.2	8.4	11.4
SMAF	178	50.0	13.0±0.2	12.4	18.0
	330	50.0	13.0±0.2	12.4	18.0
SMA-S	178	50.0	13.0±0.2	12.4	18.0
SMA-HE	178	50.0	13.0±0.2	12.4	18.0



### Recommend IR Reflow Soldering Thermal Profile



Profile Feature	Pb-Free Assembly Profile
Temperature Min. (T Amin)	150°C
Temperature Max. (Tsmax)	200°C
Time (ts) from (T Amin to Tsmax)	60-120 seconds
Average Ramp-up Rate (tL to tP)	3°C/second max.
Liquidous Temperature (TL)	217°C
Time (tL) Maintained Above (TL)	60 – 150 seconds
Peak Temperature	260°C +0°C / -5°C
Time (tp) within 5°C of actual Peak Temperature	30 seconds
Ramp-down Rate (TP to TL)	6°C/second max
Time 25°C to Peak Temperature	8 minutes max.

### Ordering Information

Part Number	Description	Quantity
SS2060LHE	SOD-123HE Reel	3000 pcs

## **DISCLAIMER**

- The information in this document and any product described herein are subject to change without notice and should not be construed as a commitment by Paceleader, Paceleader reserve the right to make changes to the information in this document.
- Though Paceleader make effort to improve product quality and reliability, Product can malfunction and fail due to their inherent electrical sensitivity and vulnerability to physical stress, it is the responsibility of the customer, when utilizing Paceleader products, to comply with the standards of safety in making a safe design for entire system and to avoid situation in which a malfunction or failure., In developing a new designs, customer should ensure that the device which shown in this documents are used within specified operating ranges.
- The information contained herein is presented only as a guide for the applications of our products. No responsibility is assumed by Paceleader for any infringements of patents or other rights of the third parties which may result from its use.